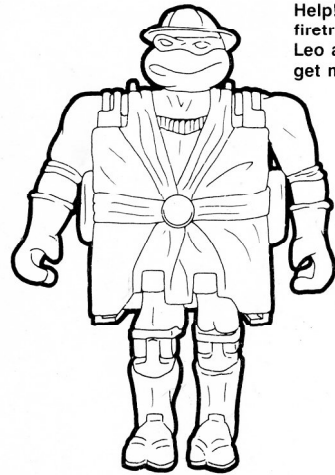
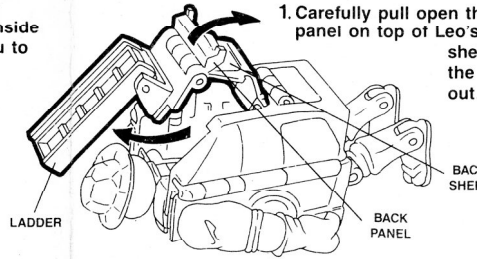


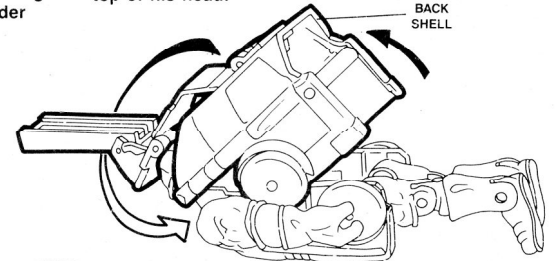
ROAD READY™
MUTATIONS™
TEENAGE MUTANT NINJA
TURTLES®



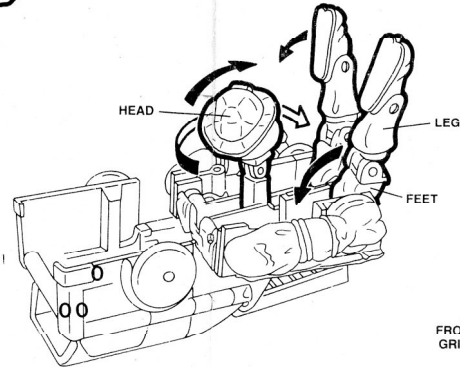
Help! I'm a fiery firetruck trapped inside Leo and I need you to get me out!



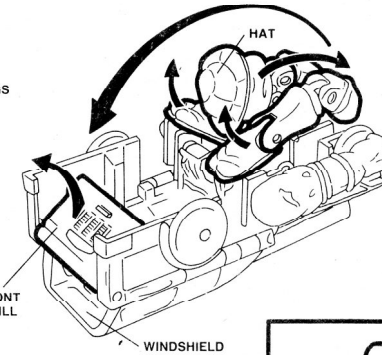
1. Carefully pull open the back panel on top of Leo's back shell. Swing the ladder out.



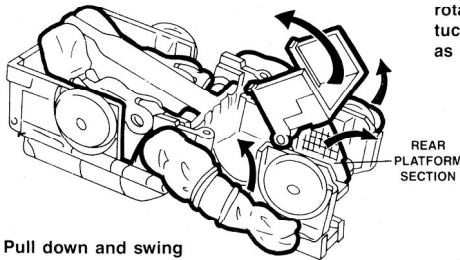
2. Lift up Leo's back shell from the bottom and rotate above Leo's head. Do not force cab beyond the top of his head.



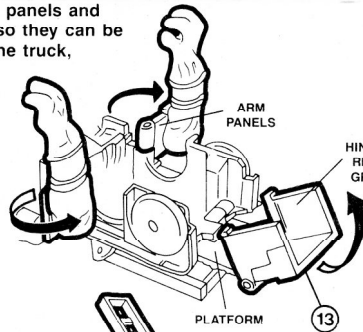
3. Swing Leo's head down backward. Rotate his head so he is facing the ground. Next, pull his legs up and tuck Leo's feet behind his head.



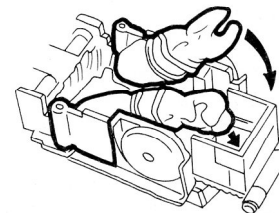
4. Pull Leo's head down into place as shown. Tuck his feet into position so that they are just above the back of his hat. Push the tucked head and feet up into the cab. Fold down the front grill of the firetruck to expose the windshield area.



5. Pull down and swing out the rear platform section of the firetruck.

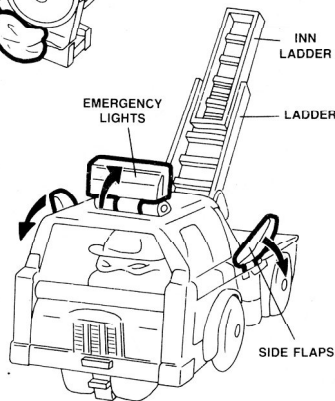


6. Swing out the arm panels and rotate Leo's arms so they can be tucked up inside the truck, as shown.

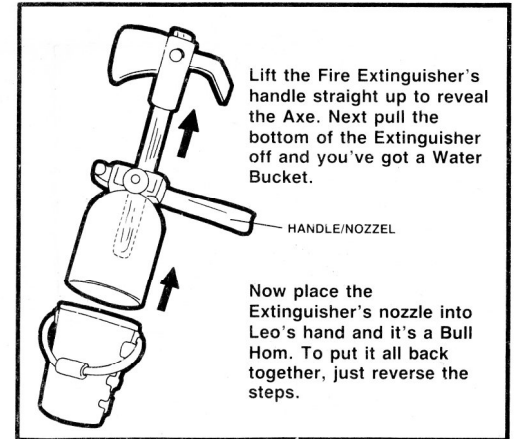
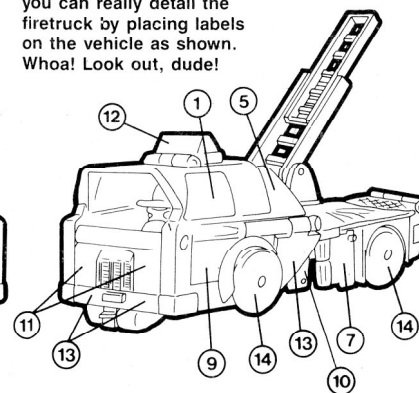
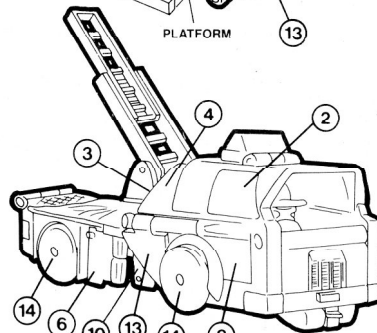


7. Swing hinged rear grill down and push platform into position over hands and arms. Now you've got a genuine Foot fightin' firetruck! Now you can really detail the firetruck by placing labels on the vehicle as shown. Whoa! Look out, dude!

8. Lift up the cab's emergency lights. Snap ladder down into place, then fold down the side flaps.



NOTE: Slide inner ladder up to extend ladder.



Lift the Fire Extinguisher's handle straight up to reveal the Axe. Next pull the bottom of the Extinguisher off and you've got a Water Bucket.

Now place the Extinguisher's nozzle into Leo's hand and it's a Bull Hom. To put it all back together, just reverse the steps.

NOTES:

- To Mutate the Foot-fightin' Firetruck back into Firefightin' Leo, just reverse the above instructions. It's that easy!
- Do not force the Mutation process. If parts do not fit comfortably and figure/vehicle does not close easily, you may have missed a step.
- Don't forget that being a Mutant master takes patience. The more you Mutate, the better you become!
- Check out the enclosed Mutation Chart, which explains the miraculous evolution of these real Mutatin' Mutants!