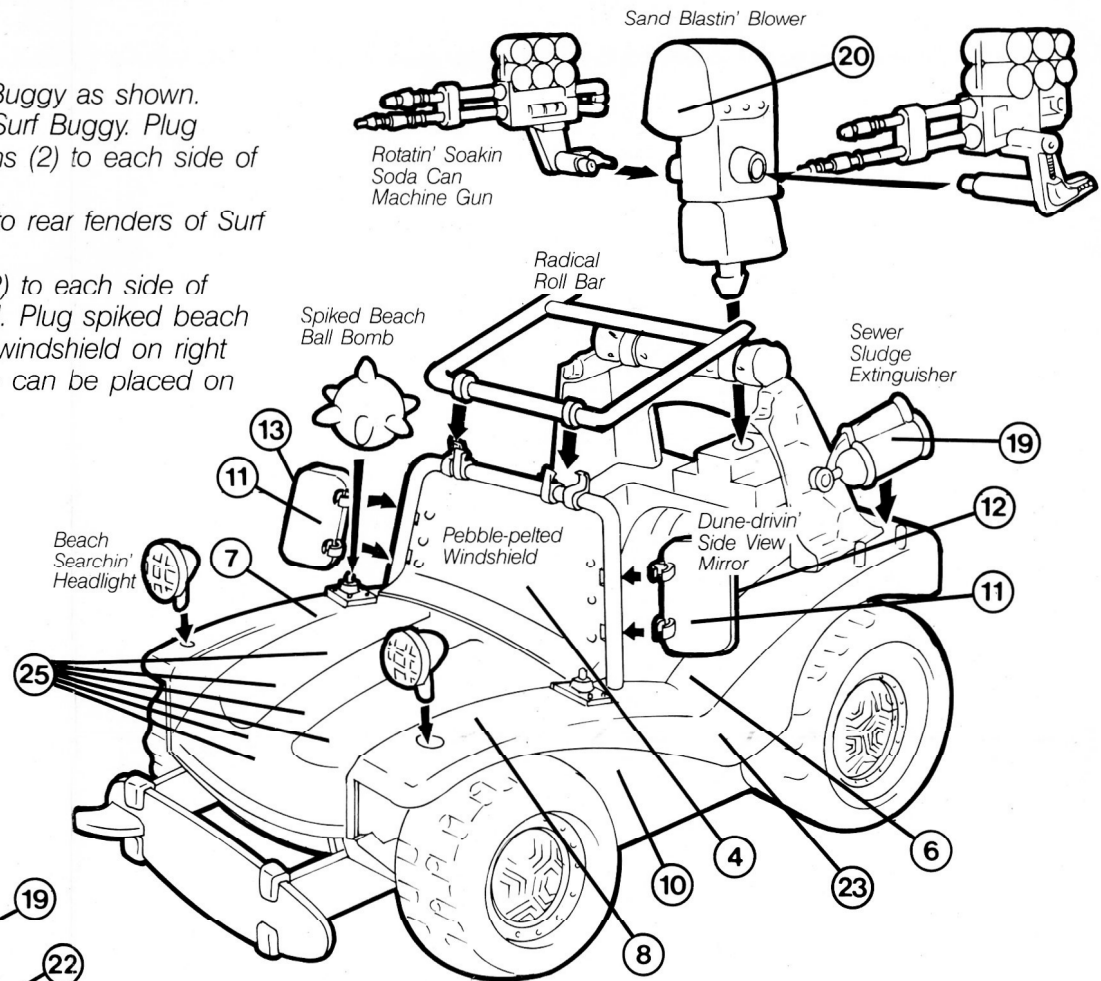
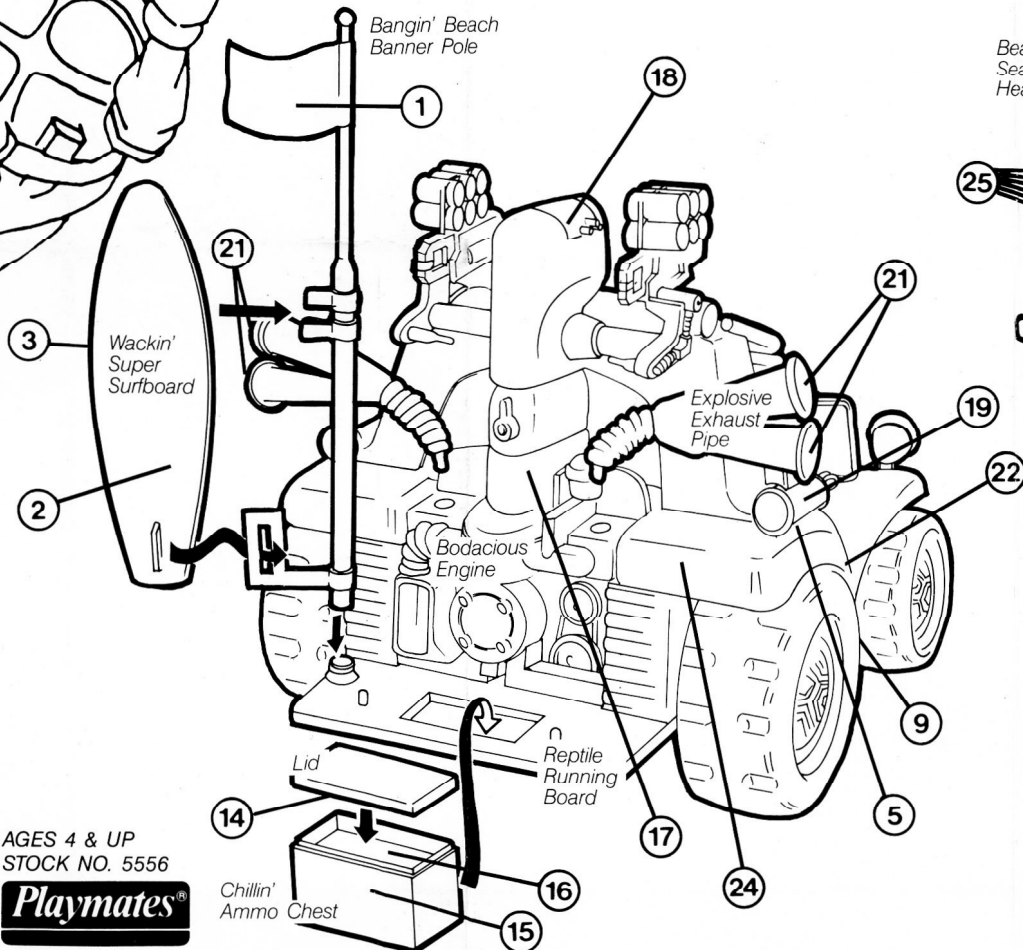


TEENAGE MUTANT NINJA TURTLES

Kids,
follow these
simple blueprints,
it's easy!

Assembly

- Attach radical roll bar to top of Surf Buggy as shown.
- Snap sand blastin' blower to rear of Surf Buggy. Plug rotatin' soakin soda can machine guns (2) to each side of sand blastin' blower as indicated.
- Attach sewer sludge extinguisher (2) to rear fenders of Surf buggy as shown.
- Snap dune-drivin' side view mirrors (2) to each side of pebble-pelted windshield as indicated. Plug spiked beach ball bomb to peg located in front of windshield on right side of Surf Buggy (beach ball bomb can be placed on left side, as well).



- Attach beach searchin' headlights (2) to front fenders of Surf Buggy as shown.
- Snap explosive exhaust pipes (2) to top of bodacious engine as indicated.
- Plug bangin' beach banner pole into reptile running board. Attach Wackin' Super Surfboard to bangin' beach banner pole as shown.
- Snap lid on top of chillin' ammo chest. Place assembled ammo chest onto reptile running board as indicated.
- Place labels 1-25 as shown.

Directions

- Place Mike or your favorite Turtle teen in the drivers seat. Stand another on the reptile running board, to man the soakin' soda can machine guns.
- Push Mike's Kowabunga Surf Buggy on the floor to see the reciprocatin' surfboard bumper do what it was designed to do!

AGES 4 & UP
STOCK NO. 5556

Playmates

Chillin'
Ammo Chest