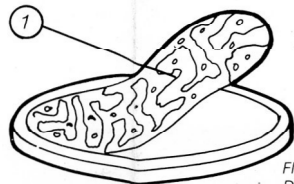
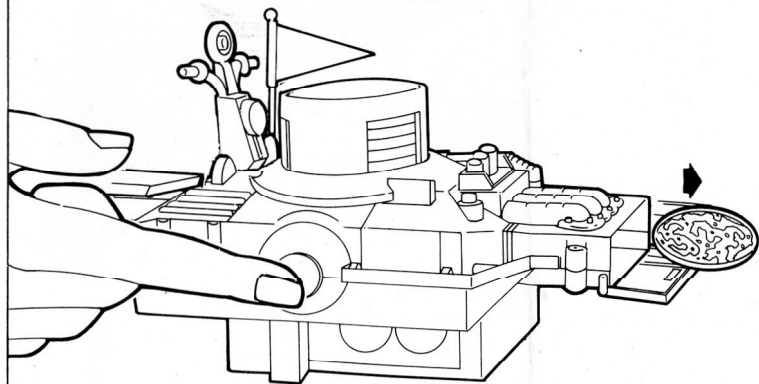
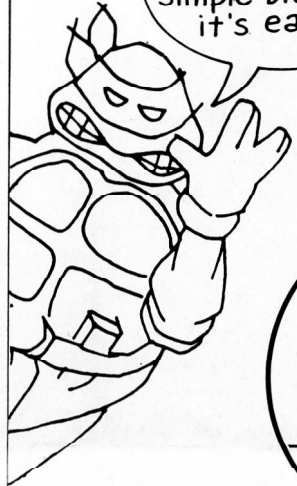
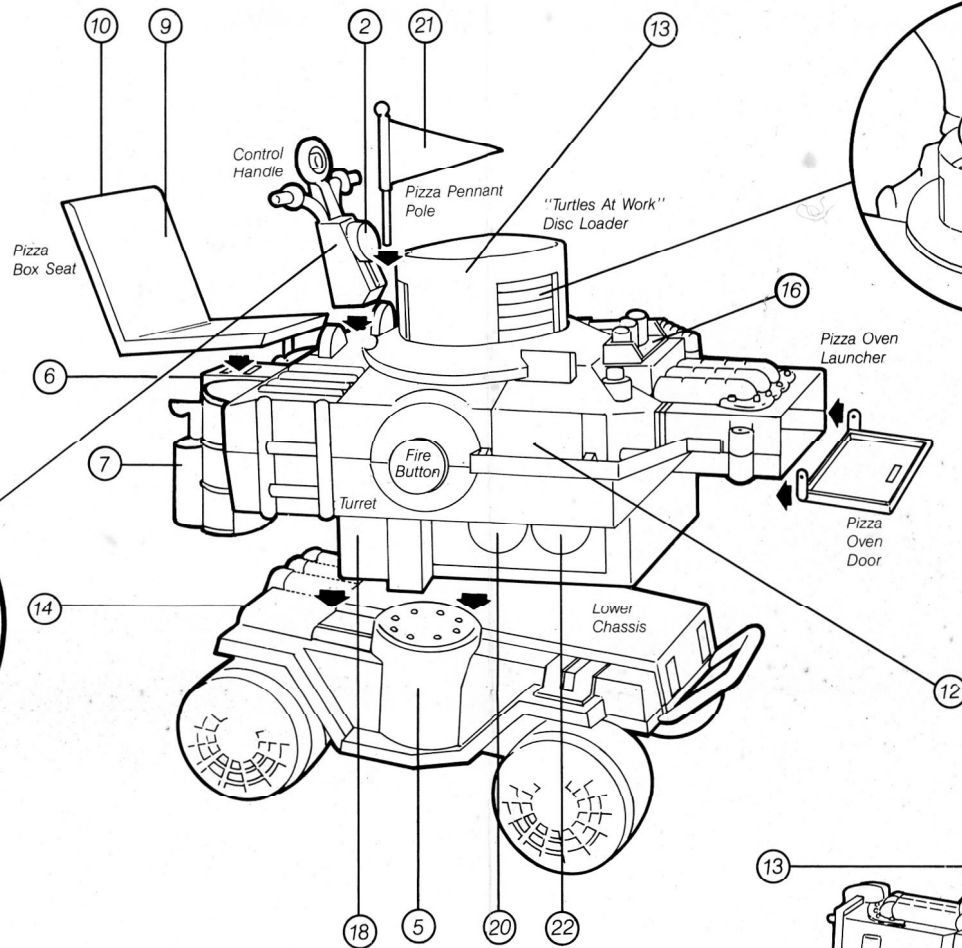


TEENAGE MUTANT NINJA TURTLES™

Kids,
follow these
simple blueprints,
it's easy!

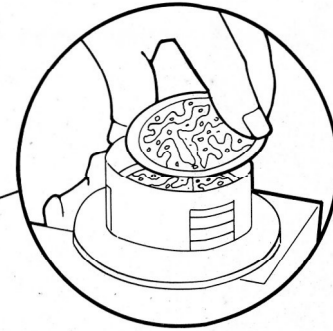


Flying Pizza
Discs



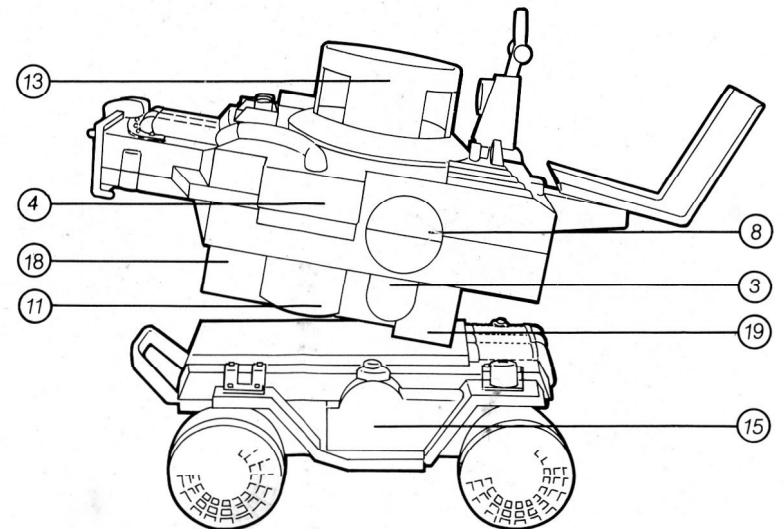
ASSEMBLY

- Insert 2 alkaline "C" size batteries (not included) in compartment on bottom of pizza thrower turret.
- Snap pizza oven door to front of pizza oven launcher.
- Snap pizza box seat on back of pizza thrower.
- Plug control handle to top of pizza thrower with round gauge detail at bottom facing towards front.
- Plug pennant pole on top of pizza thrower.
- Plug turret on top of lower chassis.
- Place labels (#1-22) on pizza thrower as shown.



DIRECTION

- For pizza flinging fun: place figure on pizza box seat and secure with hands on control handle.
- Carefully load pizza discs in disc loader. Make sure all discs lay flat.
- Shift on/off switch to on position. Pizza thrower is now ready for battle fun.
- Caution: Never look directly into pizza oven launcher (front of vehicle) when unit is on. Do not point or shoot pizza discs at people or animals.
- Press fire button one time to shoot one pizza disc. If disc fails to launch, shooting mechanism may be jammed. Switch unit off, remove turret and turn turret upside down to remove all discs. Carefully reload discs.
- Pizza thrower rotates 180° to protect all flanks and adjusts vertically for high or low trajectory blasts.
- If shooting power of pizza thrower decreases, fresh batteries may be required.



AGES 4 & UP
STOCK NO. 5621

Playmates®