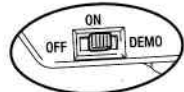


T-BLASTS TALKING SHELL CANNON



1. Slide ON/OFF switch to ON position.



2. Load clip with up to 6 darts.

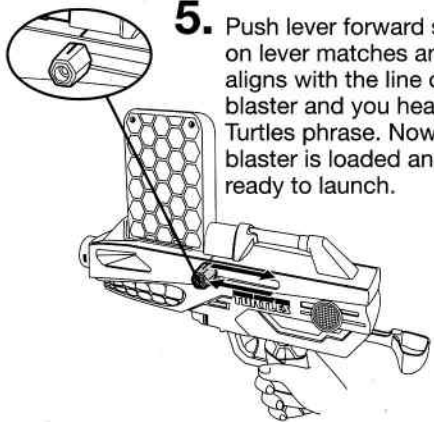
3. Push side lever back.



4. Insert loaded clip into top of blaster with dart faces directed forward.



5. Push lever forward so line on lever matches and aligns with the line on the blaster and you hear a Turtles phrase. Now your blaster is loaded and ready to launch.



6. Pull back bandana ring and release to launch dart.

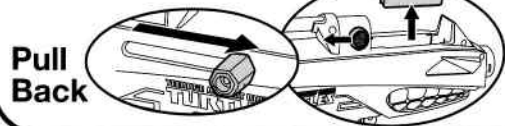


Pull Back

To re-load each additional dart, pull side lever back and push forward, and repeat step 6 to launch.

7. Once clip is empty, slide back side lever. Push back red release button on side of blaster and remove clip to reload darts.

Release Button



Pull Back

CAUTION:
DO NOT aim at Eyes or Face.
DO NOT modify Darts or Blaster.

If Talking Shell Cannon is not working, try resetting.

To Reset:

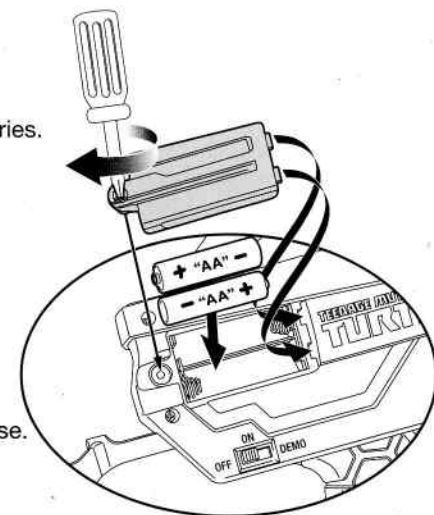
Slide the switch to "OFF", then slide the switch to the "ON" mode. If Talking Shell Cannon is still not working, try replacing the batteries.

To change batteries:

- Unscrew battery cap.
- Take out old batteries and replace with 2 new 2AA batteries.
- Replace battery cap.

Battery Instructions:

- Non-rechargeable batteries are not to be recharged.
- Different types of batteries or new and used batteries are not to be mixed.
- Only batteries of the same or equivalent type as recommended are to be used.
- Batteries are to be inserted with the correct polarity.
- Exhausted batteries are to be removed from the toy.
- The supply terminals are not to be short-circuited.
- Batteries are to be removed from the toys when not in use.
- Batteries should only be replaced by an adult.
- Do not dispose of batteries in fire.
- Do not use rechargeable batteries.



Adult supervision is required to replace battery.

Batteries Regulation: Do not mix old and new batteries. Do not mix alkaline, standard (carbon-zinc), or rechargeable (nickel-cadmium) batteries.

This device complies with Part 15 of the FCC Rules. Operation is subject to the following two conditions: (1) this device may not cause harmful interference, and (2) this device must accept any interference received, including interference that may cause undesired operation. Under the environment with severe electrostatic discharge, the product may malfunction and requires user reset.

Warning: Changes or modifications to this unit not expressly approved by the party responsible for compliance could void the user's authority to operate the equipment.

NOTE: This equipment has been tested and found to comply with the limits for a Class B digital device, pursuant to Part 15 of the FCC Rules. These limits are designed to provide reasonable protection against harmful interference in a residential installation. This equipment generates, uses, and can radiate radio frequency energy and, if not installed and used in accordance with the instructions, may cause harmful interference to radio communications. However, there is no guarantee that interference will not occur in a particular installation. If this equipment does cause harmful interference to radio or television reception, which can be determined by turning the equipment off and on, the user is encouraged to try to correct the interference by one or more of the following measures:

- Reorient or relocate the receiving antenna.
- Increase the separation between the equipment and receiver.
- Connect the equipment into an outlet on a circuit different from that to which the receiver is connected.
- Consult the dealer or an experienced radio TV technician for help.

For more detailed instructions visit www.Playmatestoy.com

Ages 4 and up
Asst. #98850