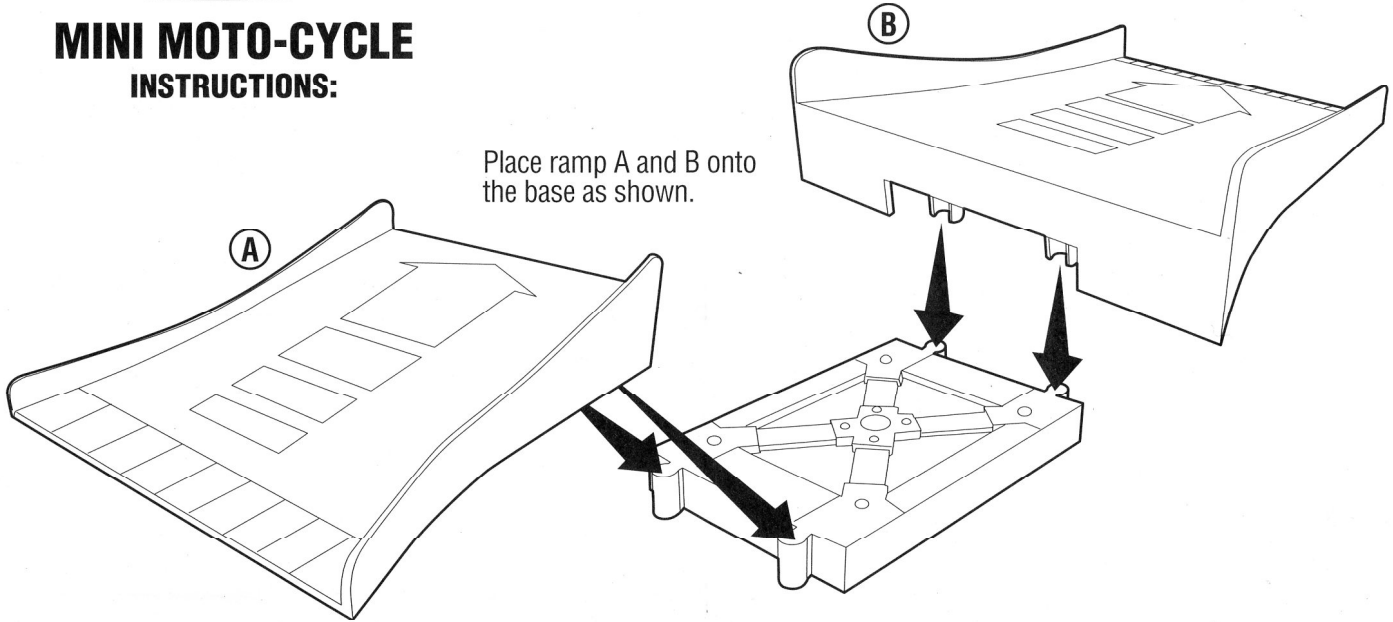




## MINI MOTO-CYCLE INSTRUCTIONS:

Place ramp A and B onto  
the base as shown.



4+

**Playmates**

ASST. NO. 55080  
STOCK NO. 55089/55095

Teenage Mutant Ninja Turtles and TMNT are trademarks of  
Mirage Studios, Inc. Teenage Mutant Ninja Turtles®,  
Leonardo®, Michelangelo®, Raphael®, Donatello®, Splinter®,  
Shredder®, and April O'Neil® are registered trademarks of  
Mirage Studios, Inc. All Rights Reserved. PRINTED IN CHINA.



**WARNING: CHOKING HAZARD**  
Small parts. Not for Children under 3 years.