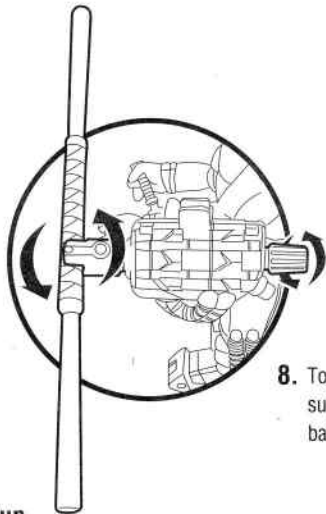
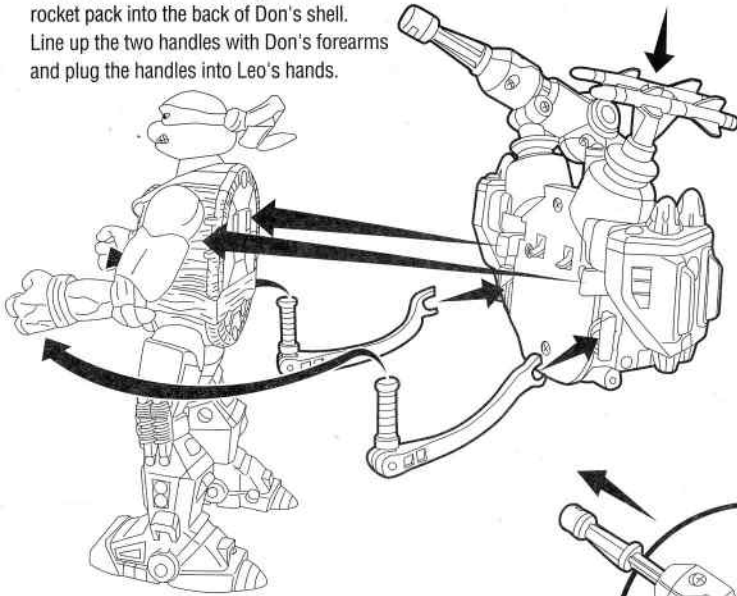


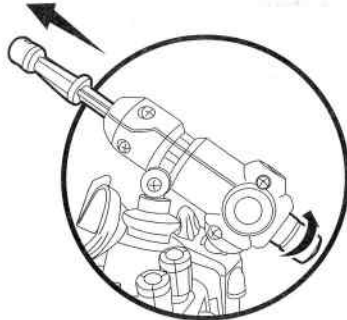
TMNT™

AUTO ATTACK DON INSTRUCTIONS:

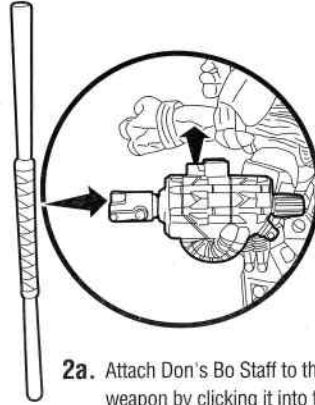
1. Get ready for awesome Auto Attack action by first plugging in the battle pack's handles into the battle pack, then plug the whole rocket pack into the back of Don's shell. Line up the two handles with Don's forearms and plug the handles into Leo's hands.



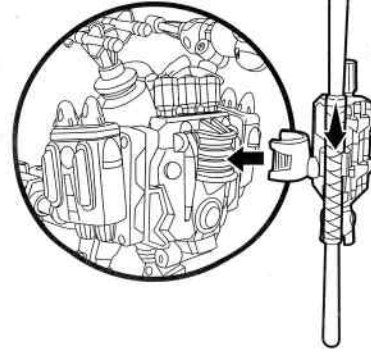
8. To activate the spinning action on the super weapon, turn the button on the back to make it spinning.



7. Twist the back of the launcher to launch the projectile on the top right of the battle pack.



- 2a. Attach Don's Bo Staff to the super weapon by clicking it into the slot on the side. Then, attach the entire weapon to Don's forearm.

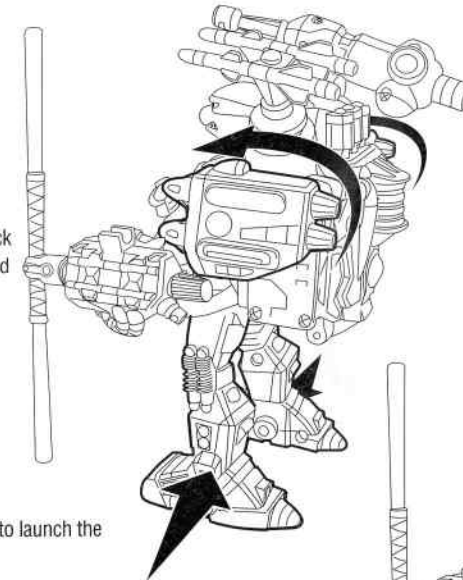


- 2b. You can also load the super weapon onto the back of the battle pack.

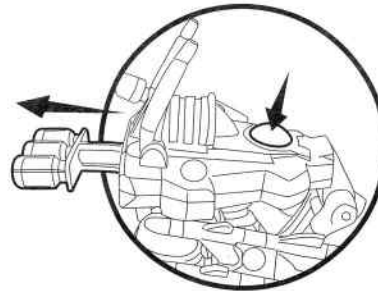


3. Lock in all 3 of the rockets. Twist the side rockets until the rockets are pointing up towards the sky and then push the rockets down until they click in. Then push the top rocket launcher (marked b.) all the way down into the battle pack until it clicks in and the rockets are pointing up to the sky.

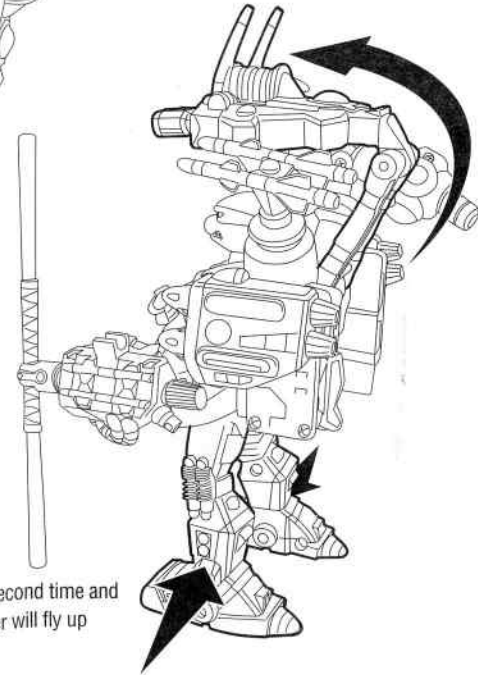
4. Now you are ready for Auto Attack action! Squeeze the legs once and watch the side missiles flip out!



6. Push the button on the top to launch the top rockets!



5. Squeeze their legs a second time and the top rocket launcher will fly up over Don's head.



Age 4 and up

Playmates

STOCK NO. 55490
STOCK NO. 55495

Do not use projectile other than those provided by the toy.

Teenage Mutant Ninja Turtles and TMNT are trademarks of Mirage Studios, Inc. Teenage Mutant Ninja Turtles®, Leonardo®, Michelangelo®, Raphael®, Donatello®, Splinter®, Shredder®, and April O'Neil® are registered trademarks of Mirage Studios, Inc. All Rights Reserved. PRINTED IN CHINA.

WARNING: CHOKING HAZARD
Small parts. Not for Children under 3 years.